

WV530IR

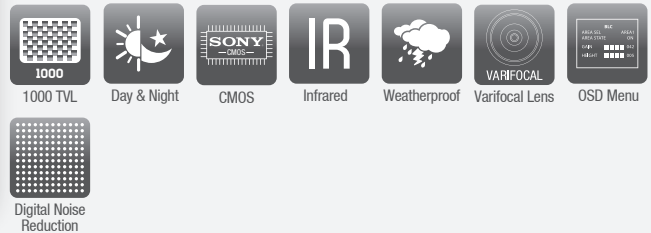
VIRTUE SERIES

INFRA RED WEATHERPROOF CAMERA
DAY & NIGHT, 30M



KEY FEATURES

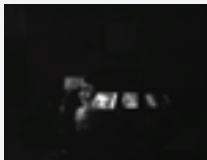
- 1/2.9 inch SONY CMOS
- 0 Lux at IR On (IR LED 35 pcs)
- WDR (Wide Dynamic Range)
- 1000 TVL
- Fixed Lens 2.8~12mm
- High Sensitivity (Sense up x 30)
- Upgraded Waterproof Housing (IP68 rating)
- 3D DNR (3D Digital Noise Reduction)
- Defog
- SMART IR
- True Day & Night (ICR)
- Option (UTP / RS-485)



FEATURES IMAGES

INFRARED ILLUMINATION

The camera is equipped with IR LEDs to capture clear image even in total darkness



LED OFF



LED ON

DAY & NIGHT

It enables the camera to produce very natural colors during the day and greatly improve the sensitivity and resolution by converting the image to B/W during the night.

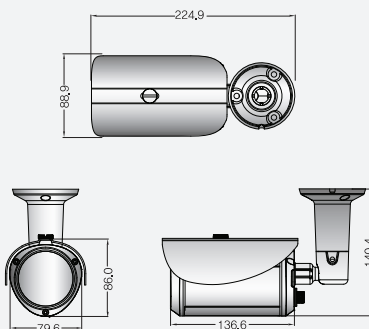


Day



Night

Bullet Dimension (mm)



TECHNICAL SPECIFICATIONS

Resolution	1000 TVL
Image Sensor	1/2.9 inch SONY CMOS
Scanning System	2:1 Interlace
Effective Pixel	1305 (H) x 1049 (V) = 1,368,945
Min. Illumination	0Lux (IR On)
Electronic Shutter	AUTO / MANUAL (1/30sec ~ 1/50,000sec) / FLICKER
Lens Type	Varifocal Lens 2.8~12mm
S/N Ratio	≥52 dB (AGC Off)
Video Output	CVBS: 1.0Vp-p (75ohm)
Gamma Correction	0.45
Frequency	Horizontal : (15.734KHz / Vertical : 59.94Hz NTSC), (15.625KHz / Vertical : 50.00Hz PAL)
Synchronization	Internal
IR LED No	35nos
IR Visibility Range	30m
IR Cut Filter	No
Power Supply	DC12V
Power Consumption	500mA
Humidity	30% ~ 80% RH
Operation Temperature	-10°C ~ +50°C
Dimension (w x l x h)	224.9 mm x 88.9 mm x 86.0 mm
Weight	800g

OSD MENU

Coaxial	Option (Remote OSD control)
White Balance	ATW / AWB / AWC / MANUAL
F-DNR(D-FOG)	OFF / MANUAL / AUTO VALUE Selectable
Backlight Compensation	OFF / D-WDR / BLC / HSBLIC Selectable
SMART 3D DNR	ON / OFF VALUE Selectable
AGC (Auto Gain Control)	LOW / MIDDLE / HIGH / OFF Selectable
Day & Night	AUTO (Day <--> Night TIME Change) / COLOR / B/W
Privacy	OFF / ON (8 Z one)
Motion Detection	OFF / ON (4 Z one)
Image Conversion	OFF / ON